

ColoRex™

Smart Lighting Control Systems

Remote Controller

Wi-Fi

Bluetooth

Introductions



CG Lighting Co.,Ltd

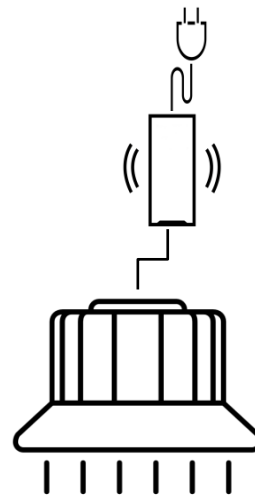
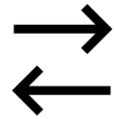
C501, C509, D710-3 Indeokwon IT Valley Imi-ro 40(653 Poil-dong), Uiwang-si, Gyeonggi-do, Korea

Web: www.cgled.co.kr / E-Mail: im@cglighting.co.kr / Tel: +82-2-596-5747 / Fax: +82-2-532-3043

Configuration Diagram of Lighting Remote Controller



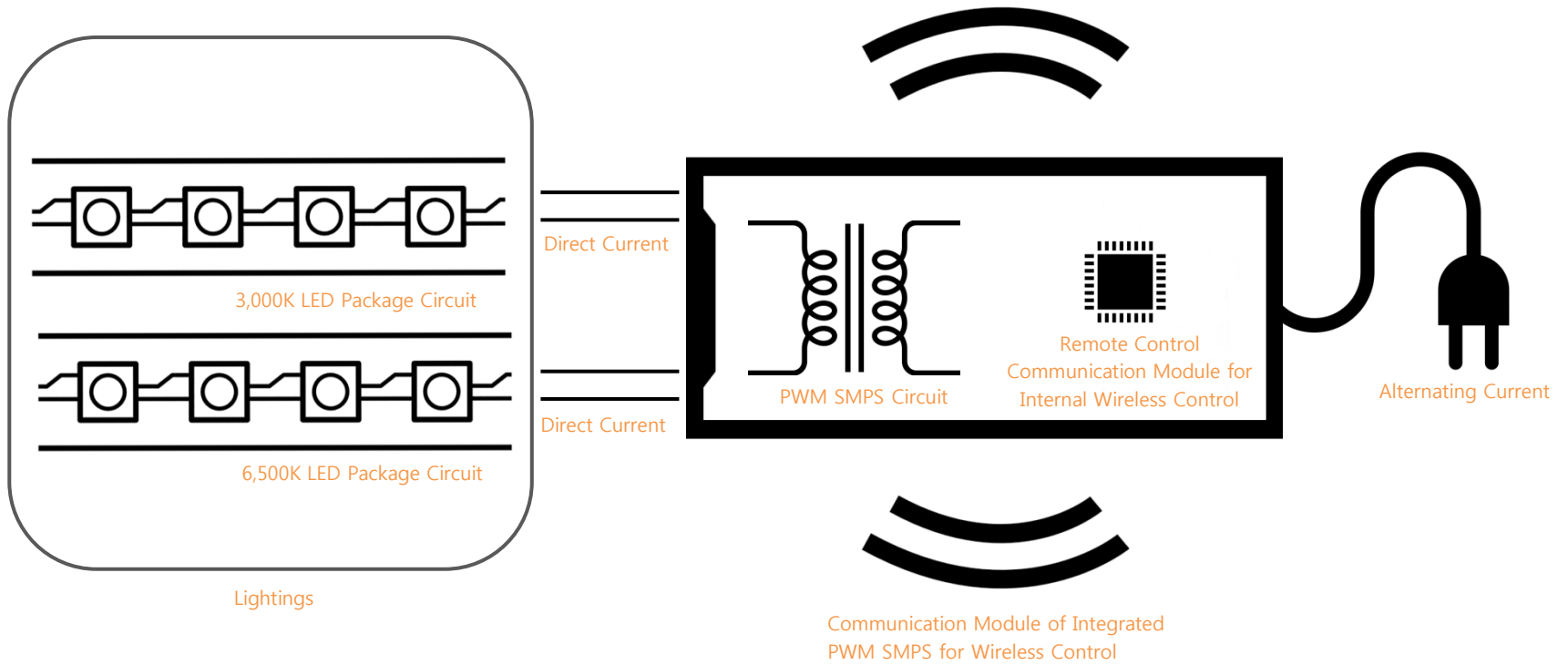
Remote Controller



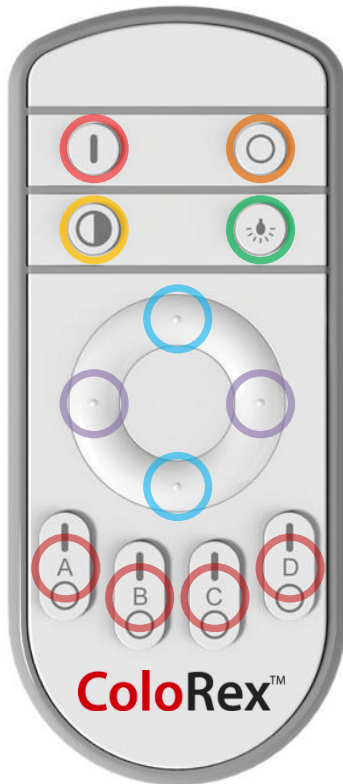
Lightings

Wireless Control
Integrated Communication Module
PWM SMPS

PWM SMPS Diagram of Dimming and Color Temperature Wireless Control by Remote Controller



Remote controller Instructions



- Power On / Reset – All lightings power On / Register and delete channel
- Quick Button - Quickly change color temperature 3,000K / 4,000K / 6,500K
- Power Off – All lightings power Off
- Sleeping Light Mode On / Off - Weak brightness mode On / Off
- Brightness Up / Down - Brightness control
- Color Temperature Up / Down – Color temperature control 3,000K~6,500K
- Channel Control – Each channel On / Off

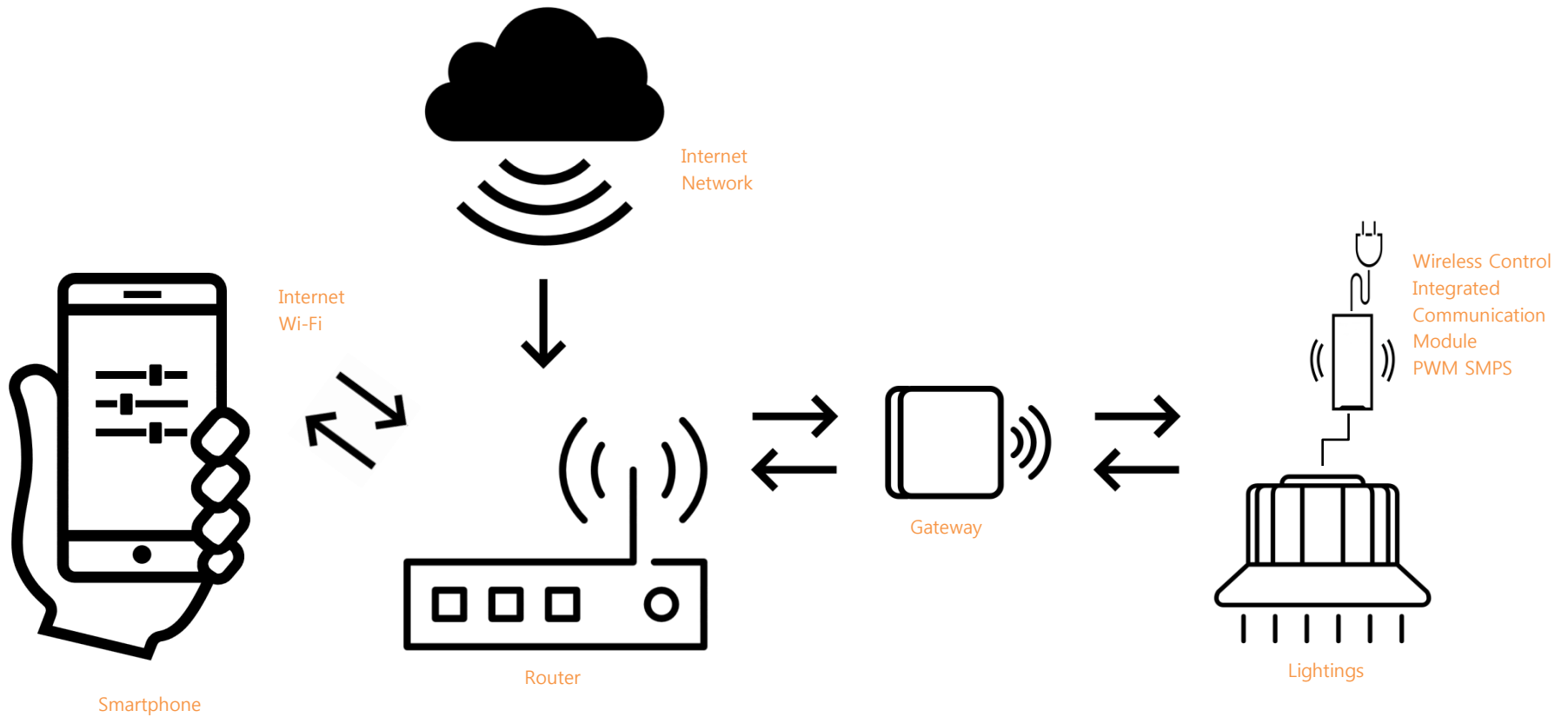
How to Set up Channels

After turning On / Off 3 times with the lighting power switch, press and hold the Channel I button with switch On on the wall. If lighting is turned on and blinking repeatedly, mean that channel A setting is completed. If you want to register multiple lightings with a remote controller, you can set up individual channels by using button I above each channel.

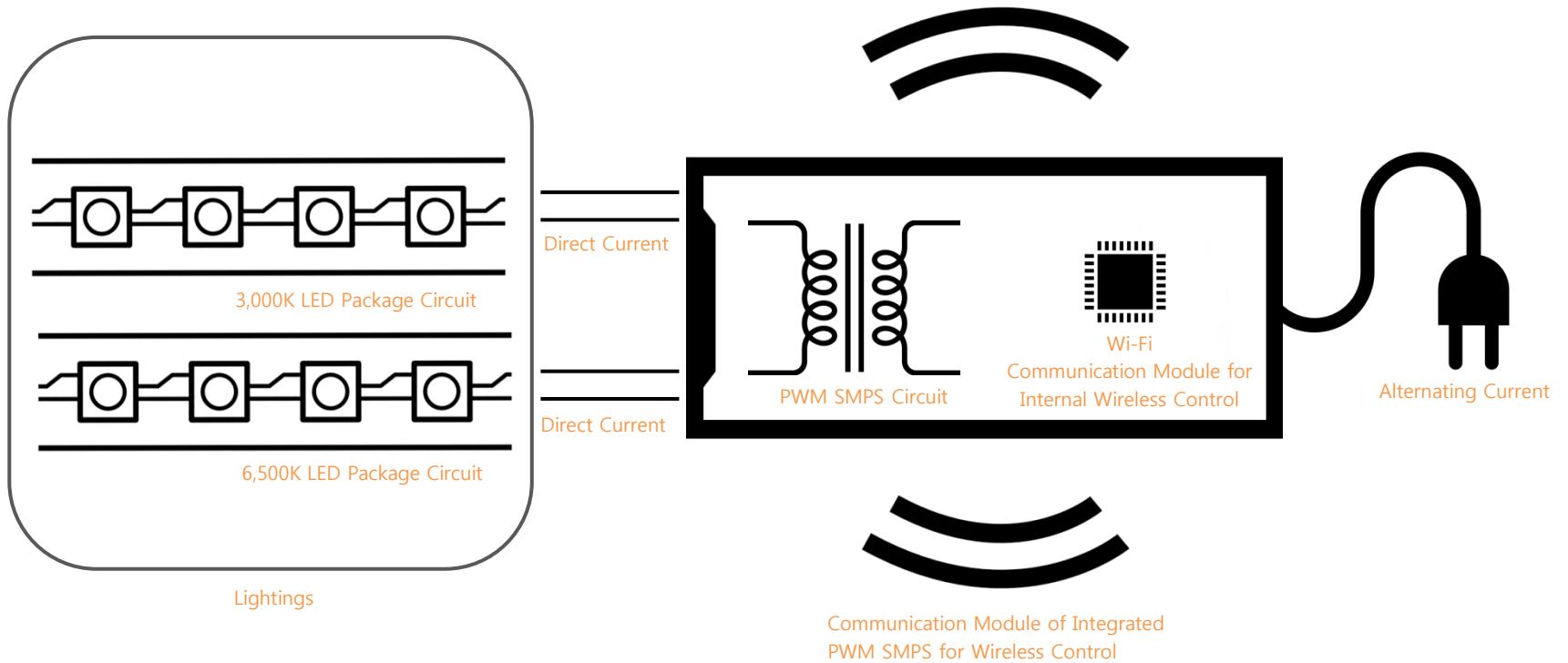
Delete Setting

When you want to delete registered lighting setting, press button ● for a while and Switch On on the wall at once. The setting will be canceled if the light is blinking repeatedly.

Configuration Diagram of Lighting Control System by Wi-Fi



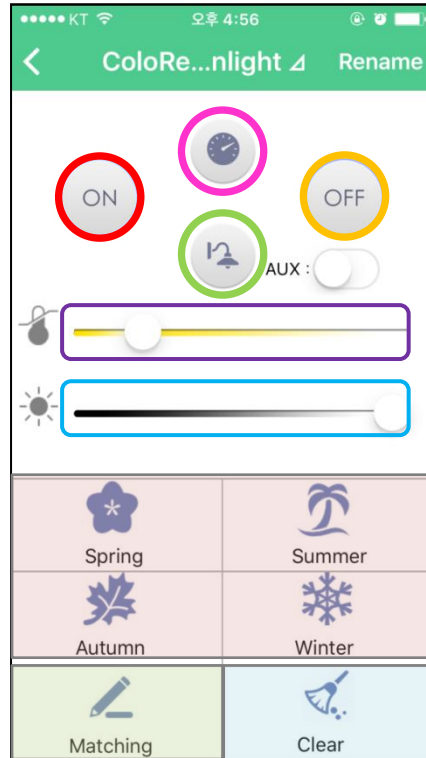
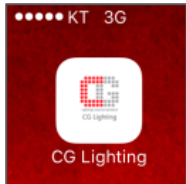
PWM SMPS Diagram of Dimming and Color Temperature Wireless Control by Wi-Fi System



App Using Wi-Fi System Introduction



Wi-Fi App
QR Code



- Power On – Lighting power On
- Power Off – Lighting power Off
- Power Off Counter Timer – Lighting power Off Counter timer button
- Taillight Function – Weak brightness mode On / Off
- Brightness Up / Down – Brightness control
- Color Temperature Up / Down – Color temperature control 3,000K~6,500K
- Seasonal Colors On / Off - Lighting color presetting by 4 seasons
- Lighting Matching - Matching gateway and lightings
- Lighting Matching Clear - Delete lighting and gateway matching

How to Run Application

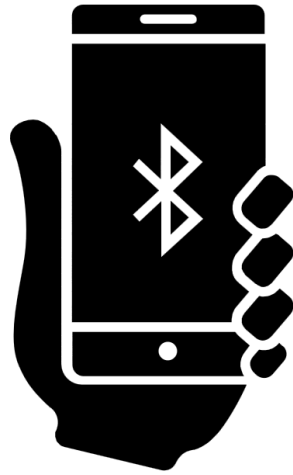
Open application on the Smartphone connecting Wifi.

After turning on the lighting switch, press the gateway button about 5 times.
Press the matching button to match gateway and lightings.

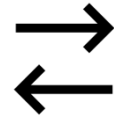
How Application Works

When the matching of gateway and lighting device is completed, the matched lighting will be displayed in the main screen of the application. When press this button and move to lighting controlling main screen, the lighting will be controlled by each buttons. If you want to cancel gateway and the lighting device matching, press Clear button on the light control screen to clear the matching value.

Configuration Diagram of Lighting Control System by Bluetooth



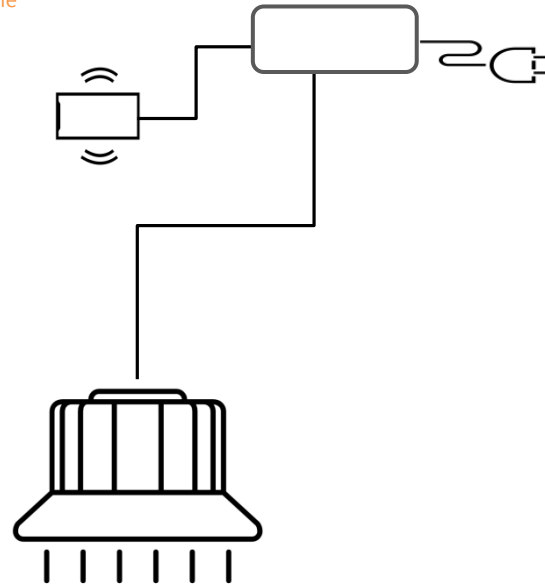
Smartphone



Pairing

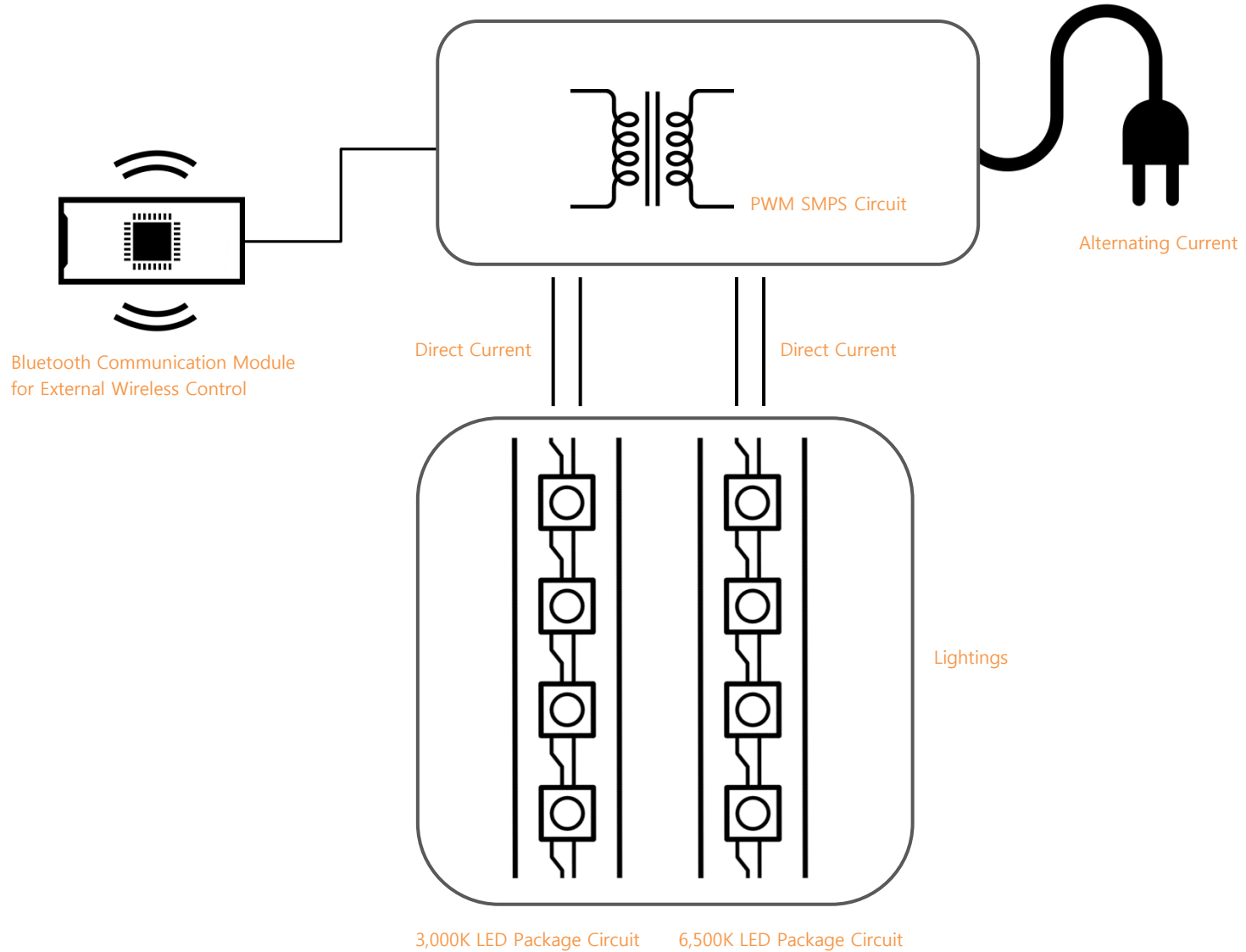
External Wireless Control
Bluetooth Communication
Module

PWM SMPS



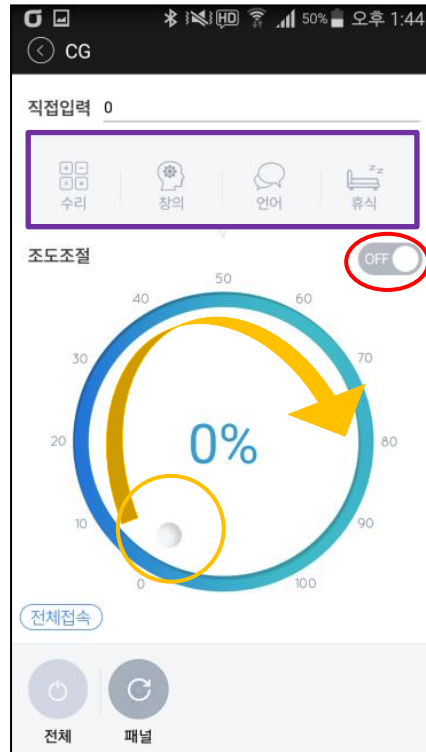
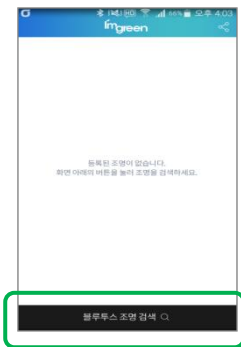
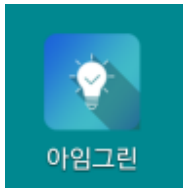
Lightings

PWM SMPS Diagram of Dimming and Color Temperature Wireless Control by Bluetooth



App Using Bluetooth System Introduction

http://52.78.52.117/imgreen_ble.apk



- Search for Bluetooth Lightings – Find lightings connected with Bluetooth
- Power On / Off - Power On / Off of connected lightings
- Brightness Up / Down –Brightness level control
- Color Temperature Preset - Lighting color preset by 4 situations
 - Preset 1(Repair Mode) - 6,500K
 - Preset 2(Language Mode) - 4,000K
 - Preset 3(Break Mode) - 3,500K
 - Preset 4(Creative Mode) - 3,000K

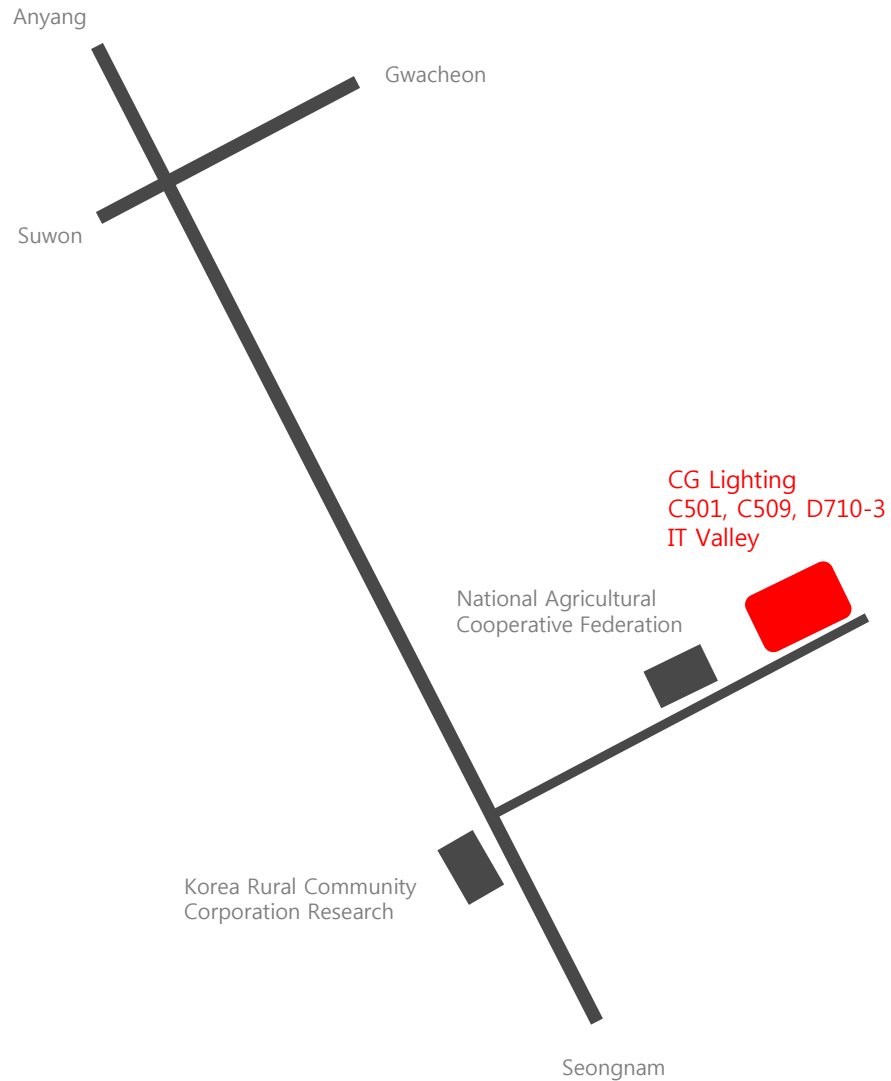
How to Run Application

Turn on Bluetooth mode on your Smartphone and open application.

How Application Works

Turn on lighting switch and press the Bluetooth light searching button at the bottom of the application screen. When connection is completed, "Connected device" button will appear at the top of the application screen. If press this button and move to lighting controlling screen, the lighting will be controlled by each button.

Company Map



CG Lighting Co.,Ltd
C501, C509, D710-3 IT Valley Imi-ro 40 (653 Poil-dong)
Uiwang-si, Gyeonggi-do 437-120, Korea

E-mail: im@cglighting.co.kr
Tel: +82-2-596-5747
Fax: +82-2-532-3043